

# IPC-6010

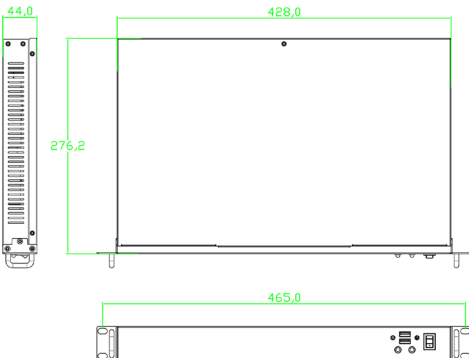
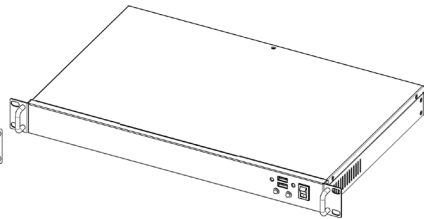
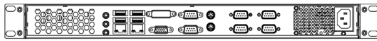


## Characteristics

- 1U Rackmount Industrial Computer
- Small size, strong expansion performance
- High-strength steel plate metal body design, excellent heat dissipation performance, suitable for use in small and complex industrial sites, safe and reliable
- 6 standard COM ports, 6 USB ports, meeting multiple expansion needs
- Lightweight, flexible integration, easy installation
- Suitable for industries with demanding reliability requirements such as highways, self-service terminals, automated production and testing, etc.

## Product specifications

project	description
Adapter	Compatible with EC9.ECS.Micro-ATX.Mini-ATX
motherboard	series motherboards
Adapter CPU	Matching motherboard one: EC9-1501-ZX(B), ZX-C4580
With memory	With EC9-1501-ZX(B), it supports 2 DDR3 DIMM slots, 8G on a single slot, up to 16G
I/O interface	Power switch on the front panel. PWR indicator light .HDD indicator light .2 USB2.0 ports, other IO Rear interface: When matched with EC9-1501-ZX(B), the rear IO interface is as follows: 2 USB2.0 ports, 2 USB3.0 ports 6 COM ports, COM1, COM2 support RS232\RS422\RS485 Display interface: VGA+DVI-D 2 network ports 1 PS/2 keyboard/mouse interface; 1 AUDIO: MIC-IN/LINE-IN/LINE-OUT;
Memory	2 2.5-inch hard disk slots
Operating temperature	0°C ~ +50°C, 5% ~ 90%
Storage environment	-20°C ~ +60°C, 5% ~ 90%
Power supply	Standard ATX small 1U industrial power supply
Dimensions	465×44×276.5mm(W*H*D)



## Front I/O



## behind I/O



### Ordering Information:

model	CPU	VGA	DVI-D	LAN(intel)	USB2.0/3.0	COM	store	RAM	Expansion slot	Power Adapter
IPC-6010	C4580	1	1	2	2/2	4	64G SSD	2G	/	ATX 1U power supply

### package:

category	Qty
IPC-6010	1 pcs
Manual	1
CD	/
power cable	1



IoT Solutions Alliance



Thank you for your attention